



US00D485988S

(12) **United States Design Patent**
Moon

(10) **Patent No.:** **US D485,988 S**

(45) **Date of Patent:** **** Feb. 3, 2004**

(54) **LUGGAGE HANDLE**

(76) Inventor: **Jerry Moon**, P.O. Box 24-108, Taipei (TW)

(**) Term: **14 Years**

(21) Appl. No.: **29/176,401**

(22) Filed: **Feb. 24, 2003**

(51) **LOC (7) Cl.** **03-99**

(52) **U.S. Cl.** **D3/318**

(58) **Field of Search** D3/216, 217, 238, D3/240, 242, 279, 318; D8/300, 301, 302, 305, 307, 310, 319, 320; D34/24, 26; 16/445, 113.1, 114.1, 405, 422, 425, 429; 190/108, 115, 117, 18 A, 18 R, 119, 39; 224/153, 578, 579, 629; 280/37, 40, 655

(56) **References Cited**

U.S. PATENT DOCUMENTS

5,645,146 A * 7/1997 Bieber et al. 280/37 X
D424,400 S * 5/2000 Lin D8/319

6,279,705 B1 * 8/2001 Wu 280/37 X
6,332,242 B1 * 12/2001 Chen 280/655 X
D471,715 S * 3/2003 Wu D3/318
2003/0042094 A1 * 3/2003 Lin et al. 16/113.1

* cited by examiner

Primary Examiner—Louis S. Zarfes

Assistant Examiner—Monica A. Weingart

(57) **CLAIM**

The ornamental design for a luggage handle, as shown and described.

DESCRIPTION

FIG. 1 is a perspective view of a luggage handle showing my new design;

FIG. 2 is a front elevational view thereof;

FIG. 3 is a rear elevational view thereof;

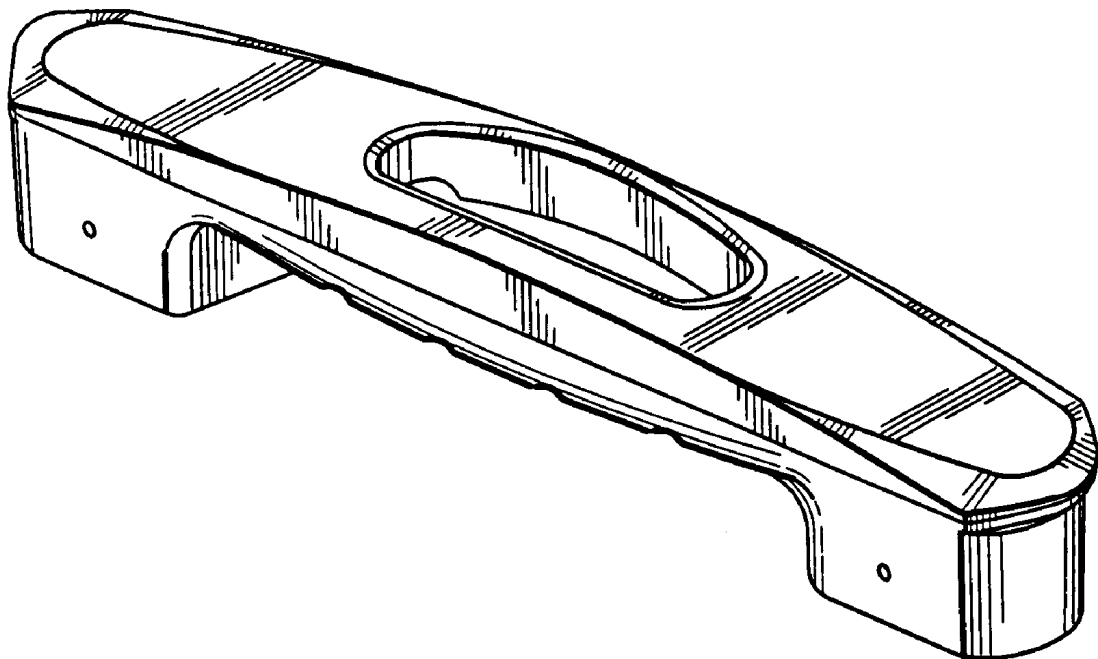
FIG. 4 is a left side elevational view thereof;

FIG. 5 is a right side elevational view thereof;

FIG. 6 is a top plan view thereof; and,

FIG. 7 is a bottom plan view thereof.

1 Claim, 3 Drawing Sheets



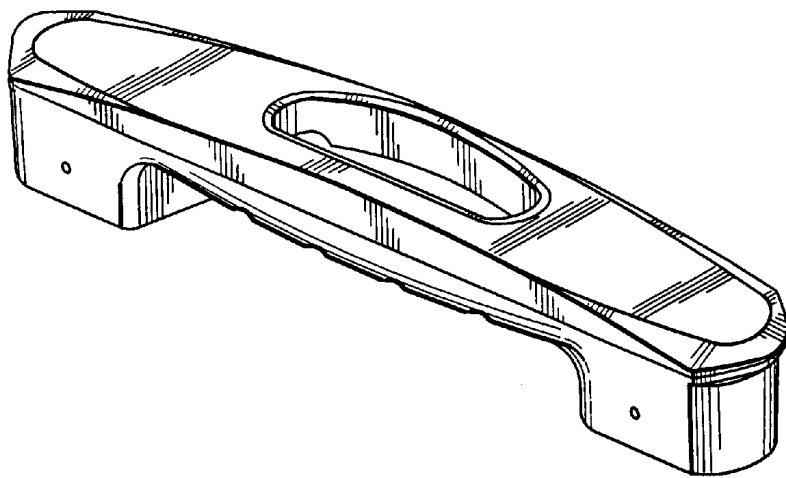


FIG. 1

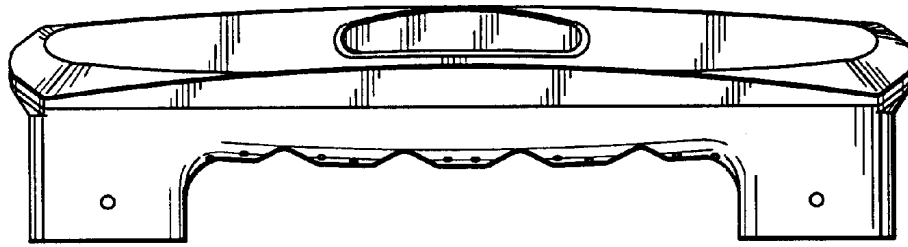


FIG. 2

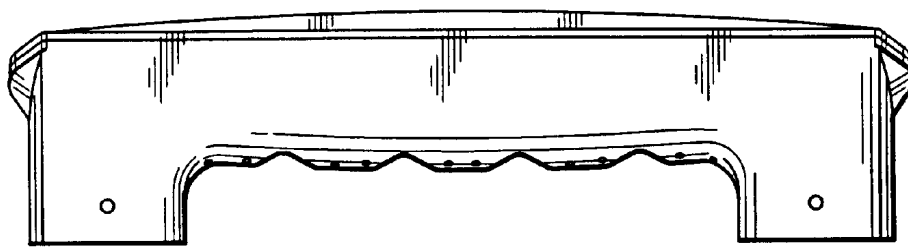


FIG. 3

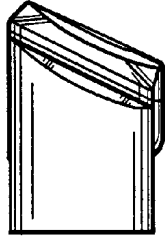


FIG. 4

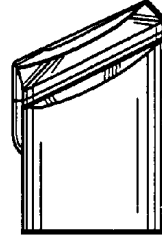


FIG. 5

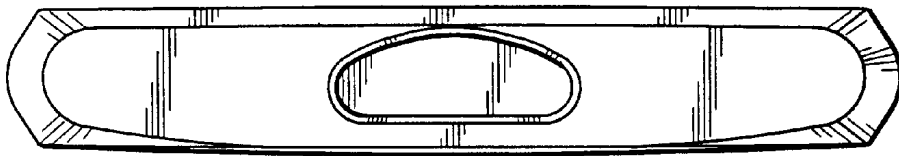


FIG. 6

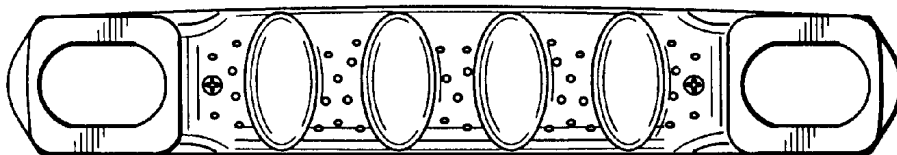


FIG. 7